



Wiring devices V5 Series

The touch of bright

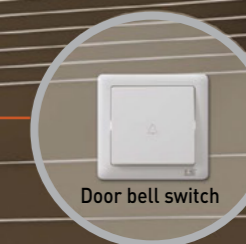


LSIS

Wiring devices V5 Series

- Installation friendly
- Reliable Mechanism
- Strong Endurance
- Compliance with standards

Name	V5 Series
Colour	Pure white
Pack quantity	1ea
Standard of compliance	MS/IEC 60669-1 MS 589-2, IEC 60884-1



Contents

Switch	04
Doorbell switch	06
Heater water switch	07
Dimmer switch	08
Socket	09
Jack/CATV	10
Dimension	12
Index	14



Switch outlets

- Rating : 10A, 250V
- Colour : White
- Size : 86×86mm
- Compliance with standards



Connection by screw type

1 way switch series



1 gang 1 way switch
LSM-SB1W110



2 gang 1 way switch
LSM-SB1W210



3 gang 1 way switch
LSM-SB1W310



4 gang 1 way switch
LSM-SB1W410

- Rating : 10A, 250V
- Colour : White
- Size : 86×86mm
- Compliance with standards



Connection by screw type

2 way switch series



1 gang 2 way switch
LSM-SB2W110



2 gang 2 way switch
To be release



3 gang 2 way switch
To be release



4 gang 2 way switch
To be release



Doorbell switch

- Rating : 10A, 250V
- Colour : White
- Size : 86×86mm
- Compliance with standards



Connection by screw type



Doorbell switch
LSM-DBU

20A DP switch with neon light

- Rating : 20A, 250V
- Colour : White
- Size : 86×86mm
- Compliance with standards



Connection by screw type



20A Double pole switch
LSM-SH1W120
*Available with Water Heater & Air-Con Labeling



Dimmer light switch

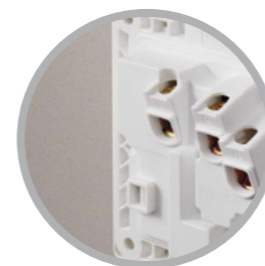
- Rating : 500W, 250V
- Colour : White
- Size : 86×86mm
- Compliance with standards



Dimmer light switch
LSM-DIL50
* This switch can be used for various lights (Only except for LED)

Socket outlets

- Rating : 13A, 250V
- Colour : White
- Size : 86×86mm
- Compliance with standards



Connection by screw type

1 gang socket & switch



13A 1 gang switched socket
LSM-OE2P113



Communication

- Colour : White
- Size : 86×86mm
- Compliance with standards



Telephone socket (RJ11)
LSM-CP



Co-Axial TV socket
LSM-CT

- Colour : White
- Size : 86×86mm
- Compliance with standards



Computer socket (RJ45 CAT6)
LSM-CN



TV socket "F" type
LSM-CS

Dimension

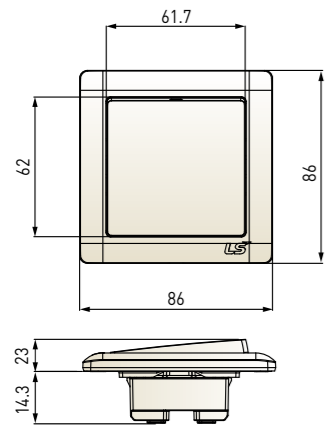
Switch outlets

Unit (mm)

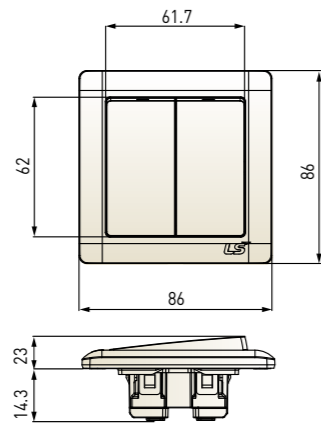
Socket outlets

Unit (mm)

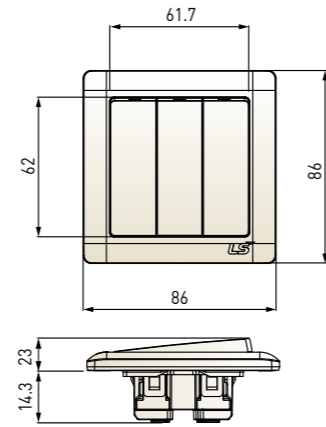
1 gang 1 way switch



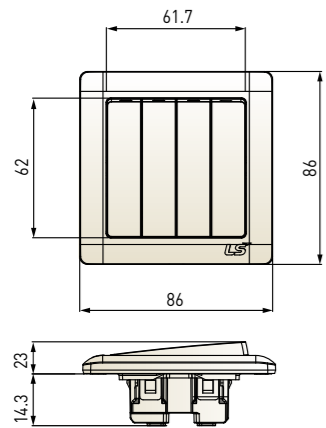
2 gang 1 way switch



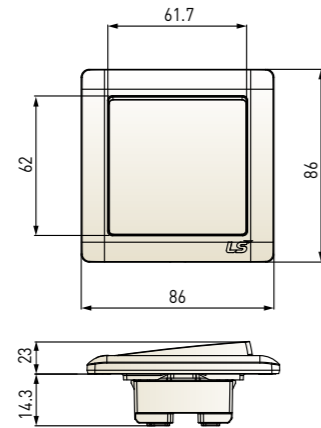
3 gang 1 way switch



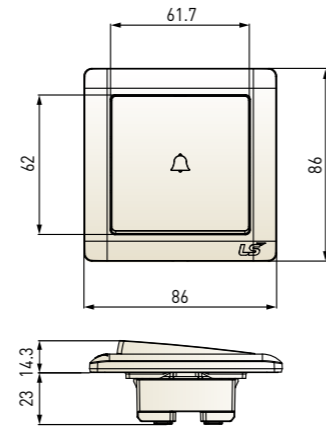
4 gang 1 way switch



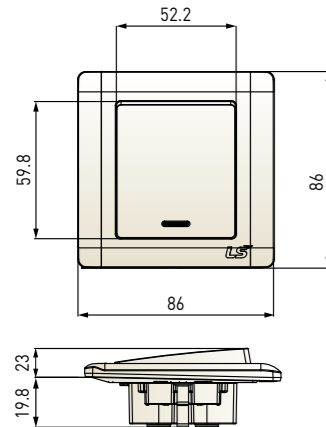
1 gang 2 way switch



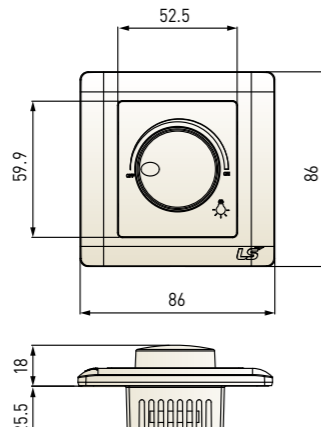
1 gang doorbell switch



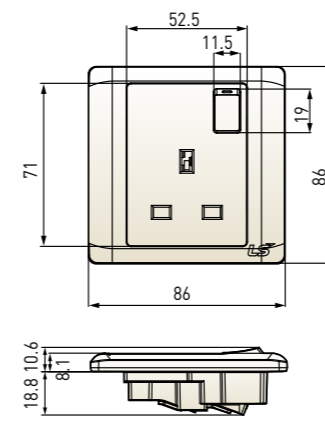
20A DP switch with neon



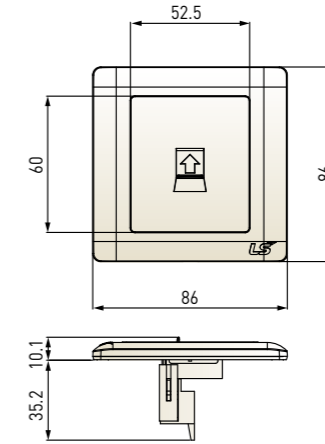
1 gang dimmer light switch



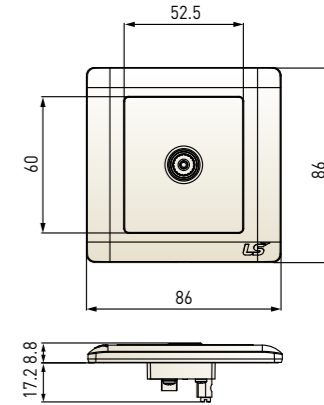
13A 1gang switched socket



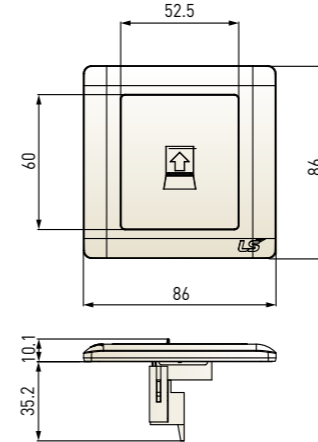
1 gang telephone socket



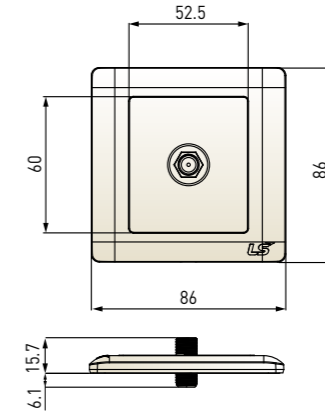
1 gang Co-Axial TV socket



1 gang computer socket



TV socket "F" type



Index

Switch outlets

Unit (mm)



1 gang 1 way switch

Description
LSM-SB1W110(SWITCH)
Rating
AC 250V 10A
Size (W*H*D)
86 × 86 × 37.3 (mm)
Product code
064200219N



1 gang 2 way switch

Description
LSM-SB2W110(SWITCH)
Rating
AC 250V 10A
Size (W*H*D)
86 × 86 × 37.3 (mm)
Product code
064200259N



2 gang 1 way switch

Description
LSM-SB1W210(SWITCH)
Rating
AC 250V 10A
Size (W*H*D)
86 × 86 × 37.3 (mm)
Product code
064200229N



1 gang doorbell switch

Description
LSM-DBU(DOOR BELL)
Rating
AC 250V 10A
Size (W*H*D)
86 × 86 × 37.3 (mm)
Product code
064600029N



3 gang 1 way switch

Description
LSM-SB1W310(SWITCH)
Rating
AC 250V 10A
Size (W*H*D)
86 × 86 × 37.3 (mm)
Product code
064200239N



20A DP switch with neon

Description
LSM-SH1W120(SWITCH)
Rating
AC 250V 20A
Size (W*H*D)
86 × 86 × 34.2 (mm)
Product code
064200269N



4 gang 1 way switch

Description
LSM-SB1W410(SWITCH)
Rating
AC 250V 10A
Size (W*H*D)
86 × 86 × 37.3 (mm)
Product code
064200249N



1 gang dimmer light switch

Description
LSM-DIL50(SWITCH)
Rating
AC 250V 500W
Size (W*H*D)
86 × 86 × 43.5 (mm)
Product code
064200279N

Switch outlets (To be release)

Unit (mm)



2 gang 2 way switch

To be release
Size (W*H*D)
86 × 86 × 37.3 (mm)



3 gang 2 way switch

To be release
Size (W*H*D)
86 × 86 × 37.3 (mm)



4 gang 2 way switch

To be release
Size (W*H*D)
86 × 86 × 37.3 (mm)



1 gang 2 way curtain switch

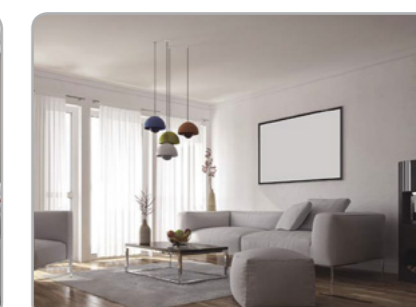
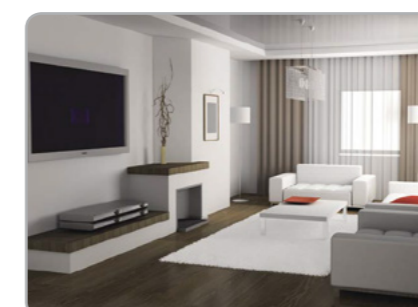
To be release



1 gang Press to exit switch

To be release

Colour	Pure white
Pack quantity	1ea
Standard of compliance	MS/IEC 60669-1 MS 589-2, IEC 60884-1



Index

Socket outlets

Unit (mm)



13A 1 gang switched socket

Description
LSM-OE2P113(SOCKET)
Size (W*H*D)
86 × 86 × 29.4 (mm)
Product code
064300119N



1 gang computer socket (RJ45 CAT6)

Description
LSM-CN(COMMUNICATION)
Size (W*H*D)
86 × 86 × 37.3 (mm)
Product code
064400169N



1 gang telephone socket (RJ11)

Description
LSM-CP(COMMUNICATION)
Size (W*H*D)
86 × 86 × 45.3 (mm)
Product code
064400149N



TV Socket "F" type

Description
LSM-CS(COMMUNICATION)
Size (W*H*D)
86 × 86 × 21.8 (mm)
Product code
064400179N



1 gang Co-Axial TV Socket

Description
LSM-CT(COMMUNICATION)
Size (W*H*D)
86 × 86 × 26 (mm)
Product code
064400159N

Colour	Pure white
Pack quantity	1ea
Standard of compliance	MS/IEC 60669-1 MS 589-2, IEC 60884-1



Socket outlets (To be release)

Unit (mm)



16A 1 gang switched socket

To be release
Size (W*H*D)
86 × 86 × 29.4 (mm)



13A & 16A 1 gang switched socket with neon

To be release
Size (W*H*D)
86 × 86 × 29.4 (mm)



15A 1 gang round pin switched socket

To be release



15A 1 gang round pin switched socket with neon

To be release



13A 1 gang universal switched socket with USB

To be release



13A 1 gang universal switched socket with neon + USB

To be release



1 gang telephone socket + data socket

To be release
Size (W*H*D)
86 × 86 × 37.3 (mm)



1 gang Co-Axial TV Socket + F Connection (ASTRO)

To be release
Size (W*H*D)
86 × 86 × 26 (mm)



Safety Instructions

- For your safety, please read user's manual thoroughly before operating.
- Contact the nearest authorized service facility for examination, repair, or adjustment.
- Please contact qualified service technician when you need maintenance.
Do not disassemble or repair by yourself!
- Any maintenance and inspection shall be performed by the personnel having expertise concerned.



www.lsis.com

■ Head Quarter

LS-ro 127(Hogye-dong) Dongan-gu, Anyang-si, Gyeonggi-Do, 14119, Korea
Tel: 82-2-2034-4902, 4684, 4429 Fax: 82-2-2034-4555

■ Overseas Subsidiaries

- **LSIS(Dalian) Co., Ltd. (Dalian, Chin)**
Tel: 86-411-8730-7510 Fax: 86-411-8730-7560 E-Mail: jiheo@lsis.com
- **LSIS(Wuxi) Co., Ltd. (Wuxi, China)**
Tel: 86-510-8534-6666-8005 Fax: 86-510-8534-4078 E-Mail: sunhwank@lsis.com
- **LS VINA Industrial Systems Co., Ltd. (Hanoi, Vietnam)**
Tel: 84-4-6275-8055 Fax: 84-4-3882-0220 E-Mail: hjchoid@lsis.com
- **LSIS Middle East FZE (Dubai, U.A.E.)**
Tel: 971-4-886-5360 Fax: 971-4-886-5361 E-Mail: jungyongl@lsis.com
- **LSIS Europe B.V. (Amsterdam, Netherlands)**
Tel: 31-20-654-1420 Fax: 31-20-654-1429 E-Mail: europartner@lsis.com
- **LSIS Japan Co., Ltd. (Tokyo, Japan)**
Tel: 81-3-6268-8241 Fax: 81-3-6268-8240 E-Mail: jschuna@lsis.com
- **LSIS USA Inc. (Chicago, U.S.A.)**
Tel: 1-800-891-2941 Fax: 1-847-383-6543 E-Mail: sales.us@lsis.com

■ Overseas Branches

- **LSIS Shanghai Office (China)**
Tel: 86-21-5237-9977 Fax: 86-21-5237-7189 E-Mail: ygeo@lsis.com
- **LSIS Beijing Office (China)**
Tel: 86-10-5761-3127 Fax: 86-10-5761-3128 E-Mail: sson@lsis.com
- **LSIS Guangzhou Office (China)**
Tel: 86-20-8326-6784 Fax: 86-20-8326-6287 E-Mail: sojhtroh@lsis.com
- **LSIS Qingdao Office (China)**
Tel: 86-532-8501-6058 Fax: 86-532-8501-6057 E-Mail: sson@lsis.com
- **LSIS Chengdu Office (China)**
Tel: 86-28-8670-3200 Fax: 86-28-8670-3203 E-Mail: yangcf@lsis.com
- **LSIS ShenYang Office (China)**
Tel: 86-24-2321-9050 Fax: 86-24-8386-7210 E-Mail: yangcf@lsis.com
- **LSIS Jinan Office (China)**
Tel: 86-531-8699-7826 Fax: 86-531-8697-7628 E-Mail: yangcf@lsis.com
- **LSIS Co., Ltd. Tokyo Office (Japan)**
Tel: 81-3-6268-8241 Fax: 81-3-6268-8240 E-Mail: jschuna@lsis.com
- **LSIS Co., Ltd. Rep. Office (Vietnam)**
Tel: 84-8-3823-7890 E-Mail: sjbaik@lsis.com
- **LSIS Moscow Office (Russia)**
Tel: 7-499 682 6130 E-Mail: info@lsis-ru.com
- **LSIS Jakarta Office (Indonesia)**
Tel: 62-21-293-7614 E-Mail: dioh@lsis.com



LSIS partner [Selangor D.E, Malaysia]
Sun Power Automation Sdn.bhd.

Lot 1554, Kampung Jaya Industrial Area, 47000 Sungai Buloh, Selangor D.E., Malaysia Tel: 603- 6157 7555 Fax: 603-6157 7666 www.sunpowerberhad.com.my