

Power Factor Controller

NV-5/7

features



- Micro Processor Based
- Cos ϕ and Power Factor Info
- LED Indication for Individual Step
- Auto C/K Detection
- Auto or Manual Operation
- Auto Detection of C.T. Polarity
- Secondary Current Info
- Voltage & Frequency Info
- THD-I and THD-V Info
- Minimum Operation @ < 1% Load
- Programmable Over Voltage Alarm
- Alarm or Fan Output
- Automatic Alternate Switching to Utilize Capacitors Evenly
- Preset / Auto / Customized Switching Program
- Programmable Software Lock
- Flush Mount

technical data

Power supply	: 240 VAC ($\pm 10\%$)
Rated current	: .. / 5A
Rated frequency	: 47 ~ 63 Hz
Operating current	: < 0,05 A
Output relay / Alarm	: 5A / 250 VAC
No voltage release	: < 40 ms
Tripping contact	: SPDT 5A / 240 VAC
Weight	: ~460 g
Operating temp.	: 0° C ~ +55° C
Standard	: IEC : 61000-4-2/4-4/4-5/255-5:1

parameter setting

C / K value	: Auto or 0.02~1.00
Cos ϕ	: 0.85 (Ind.) ~ 0.95 (Cap.)
Switching program	: Auto or P-0 ~ P-6 or custom
Switching interval	: 2.0 ~ 60.0 sec.
(V) > over voltage	: OFF or 240 ~ 270 V

aux power

NV-5-220a	: 220 ~ 240 Vac (47~63Hz)
NV-7-220a	: 220 ~ 240 Vac (47~63Hz)
Consumption	: < 3VA

fundamental frequency

Automatic (47~63 Hz) or selectable 50 or 60 Hz

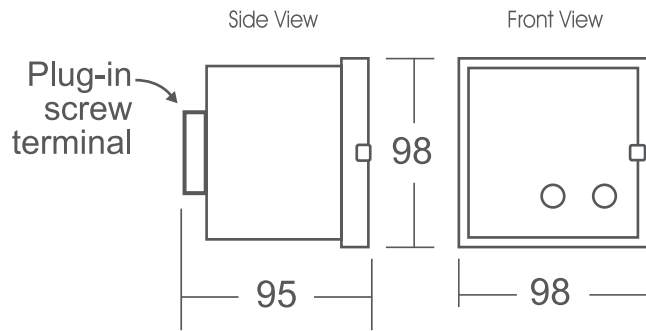
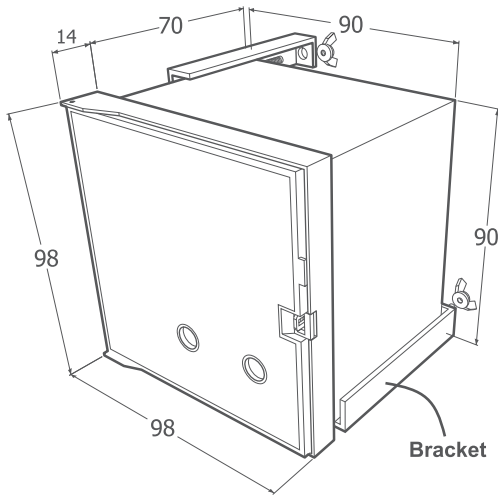
programmable switching sequence

Selection of preset, automatic or customize program sequence.

program sequence

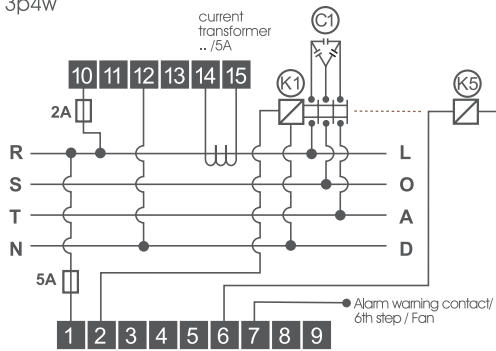
P - 0	Linear
P - 1	1 : 1 : 1 : 1 : 1
P - 2	1 : 2 : 2 : 2 : 2
P - 3	1 : 1 : 2 : 2 : 2
P - 4	1 : 1 : 1 : 2 : 2
P - 5	1 : 2 : 4 : 4 : 4
P - 6	1 : 1 : 2 : 2 : 4

casing dimension

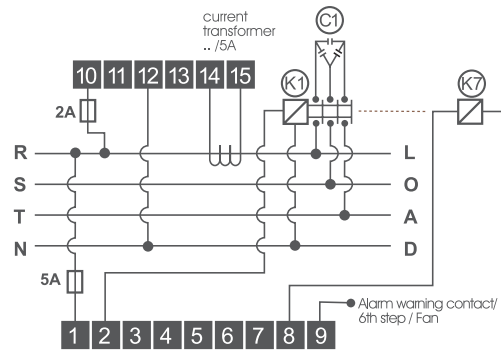


wiring diagram: NV-5 (3P4W)

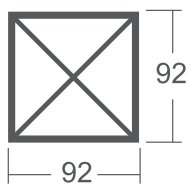
NV-5 3p4w



wiring diagram: NV-7 (3P4W)

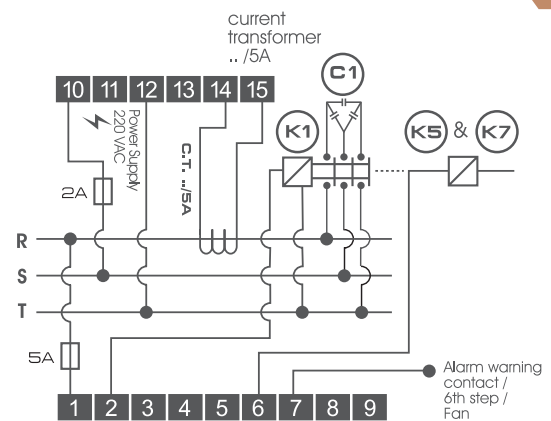


panel cut-out



Panel Cut-out : 92 x 92

wiring diagram: NV-5/7 (3P3W)



ordering information

Model	Description
NV-5	220 ~ 240 Vac (47~63 Hz)
NV-7	220 ~ 240 Vac (47~63 Hz)

Note: All measurement in mm.

Power Factor Controller

NV-6s/8s/14s

features



- Micro Processor Based
- Cos Φ and Power Factor Info
- LED Indication for Individual Step
- Auto / Manual Operation
- Automatic Detection of C.T. Polarity
- Automatic C/K Detection
- Automatic Alternate Switching to Utilize Capacitors Evenly
- Secondary Current / THD Info
- Voltage / Frequency Info Display
- THD Monitoring for Current and Voltage
- Minimum Operation @ < 1% Load
- Programmable / Auto Switching Sequence
- Programmable Over Voltage Alarm
- Programmable Software Lock
- Individual Harmonic Spectrum Info up to 11th order for Voltage and Current
- * Alarm Output (Under / Over compensate / Over Voltage)
- * Dedicated Exhaust Fan Output
- Flush Mount

technical data

Power supply	: 240 VAC ($\pm 10\%$)
Rated current	: .. / 5A
Rated frequency	: 47 ~ 63 Hz
Operating current	: < 0.05 A
Output relay / Alarm	: 5A / 250 VAC
No voltage release	: < 40 ms
Tripping contact	: SPDT 5A / 240 VAC
Weight	: ~460 g
Operating temp.	: 0° C ~ +55° C
Standard	: IEC : 61000-4-2/4-4/4-5/255-5:1

fundamental frequency

Automatic (47~63 Hz) or selectable 50 or 60 Hz

parameter setting

C / K value	: Auto or 0.02~1.00
Cos Φ	: 0.85 (Ind.) ~ 0.95 (Cap.)
Switching program	: Auto or P-0 ~ P-6 or custom
Switching interval	: 2.0 ~ 60.0 sec.
Re-connection time	: OFF or 1~250 sec
(V) > over voltage	: OFF or 240 ~ 270 V
THD (%) Current (I)	: OFF or 20 ~ 100%
THD (%) Voltage (V)	: OFF or 2.0 ~ 20.0%

programmable switching sequence

Selection of preset, automatic or customize program sequence.

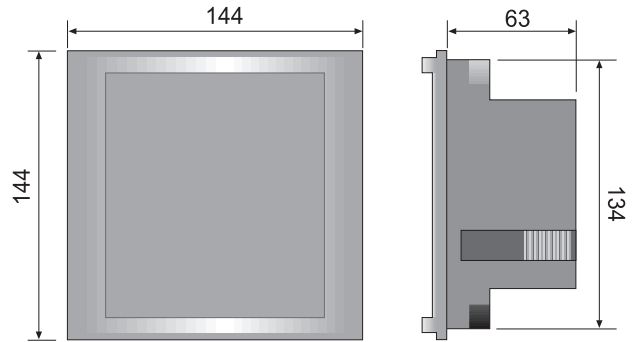
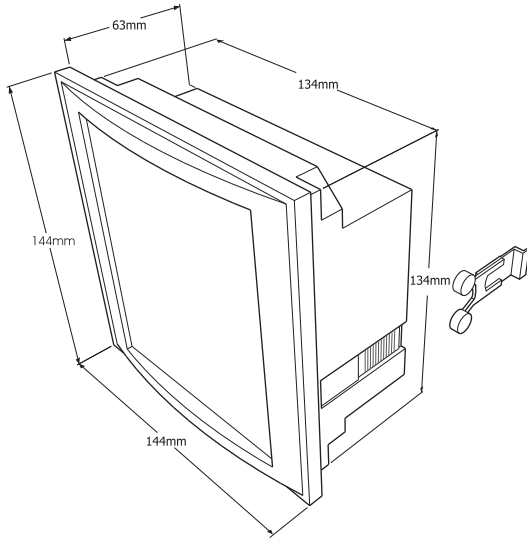
program sequence

Program	Sequence
P - 0	Linear
P - 1	1 : 1 : 1 : 1 : 1
P - 2	1 : 2 : 2 : 2 : 2
P - 3	1 : 1 : 2 : 2 : 2
P - 4	1 : 1 : 1 : 2 : 2
P - 5	1 : 2 : 4 : 4 : 4
P - 6	1 : 1 : 2 : 2 : 4

(* Available for models NV-8s and NV-14s only)

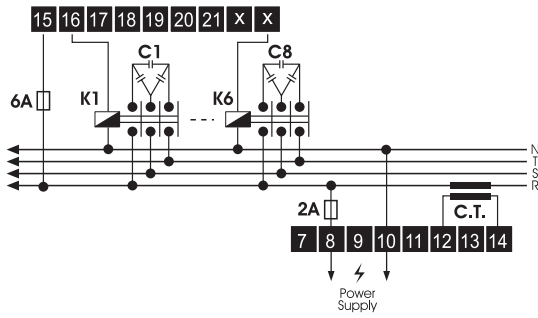
Note: Specification subject to change without prior notification (please visit www.delab.com.my for latest specification)

casing dimension



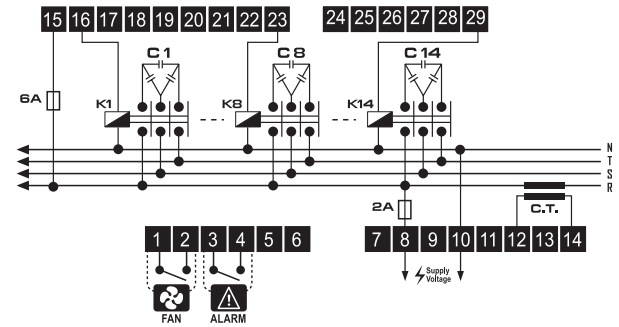
wiring diagram : NV-6s

3P4W

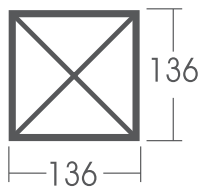


wiring diagram : NV-8s / NV-14s

3P4W



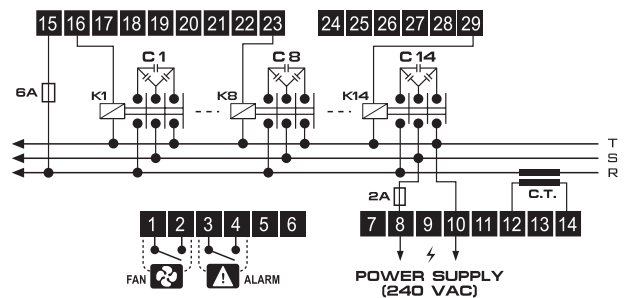
panel cut-out



Panel Cut-out : 136 x 136

wiring diagram : NV-8s / NV-14s

3P3W



ordering information

Model	Description
NV-6s	220~240 Vac (47~63 Hz)
NV-8s	220~240 Vac (47~63 Hz)
NV-14s	220~240 Vac (47~63 Hz)

Note: All measurement in mm.