

TM-18c

features

*18r Auto-reset



True RMS Measurement with SPARC¹ and DCOI² Algorithm

Fundamental Signal Detection³

Real Time Display of $I_{\Delta n}$ (A)

Fault / lo-set & hi-set Trip LED Indication

Fault Start Event Recording

Trip Event Memory

(non-volatile 7 previous records)

Fault Start Event Memory

(non-volatile 4 previous records)

Programmable Relay Output contact for K2

Last Trip Elapsed Time (up to 99days)

*Self-reclosing / Auto-reset

*Trip Lock-out Setting

Software Lock to Prevent Unauthorized Setting

Complies with :

IEC-61000-4-2/4-4/4-5/255-5:1 Standards

technical data

Aux Power	: 65~275 Vac
Fundamental Frequency	: 50 or 60 Hz (software selectable)
Current Input ($I_{\Delta n}$)	: ZCT (multiple sizes from ID of 30~200mm)
Measurement Range	: 0.01 ~ 30.0 A
Output Relay Rating	: SPDT 5A, 250V AC/DC
Display	: 7-Segment LED (3 + 1 digit)
Indication (LEDs)	: Fault, lo / hi set trip
Operating Temp.	: 0°C ~ +55°C
Humidity	: 56 days at 93%RH, 40°C non-condensing
IP Rating / Weight	: IP52 (front panel) / 200g

parameter setting

$I_{\Delta n} >$: lo-set	0.03~30.0 A 0.03 ~ 1.00 A (step of 0.01 A) 1.00 ~ 3.00 A (step of 0.05 A) 3.00 ~ 10.0 A (step of 0.1 A) 10.0 ~ 30.0 A (step of 0.5 A)
t>: lo-set trip delay time	0.03 ~ 20.0 sec 0.03 ~ 0.10 sec (step of 0.01sec) 0.10 ~ 1.00 sec (step of 0.02sec) 1.0 ~ 20.0 sec (step of 0.1sec)
$I_{\Delta n} >>$: hi-set	OFF or 0.1~30.0 A 0.1~10.0 A (step of 0.1 A) 10.0 ~ 30.0 A (step of 0.5 A)
t>>: hi-set trip delay time	fixed @ 30ms

*auto-reset setting

Trip lock-out setting	:	1 ~ 10
Auto reset timer	:	3.0 ~ 200 sec.

fundamental frequency

50 or 60Hz Selectable

K1 output contact

Latching (Lc) trip

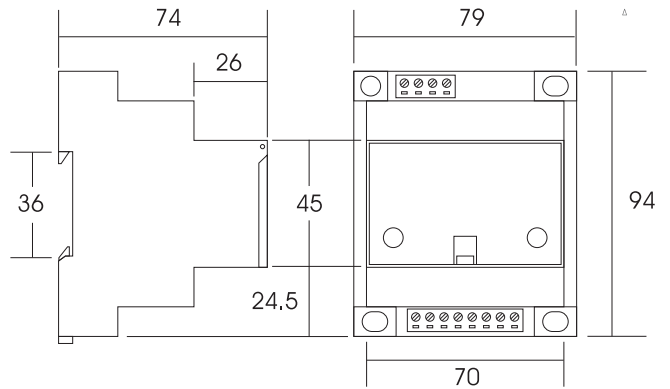
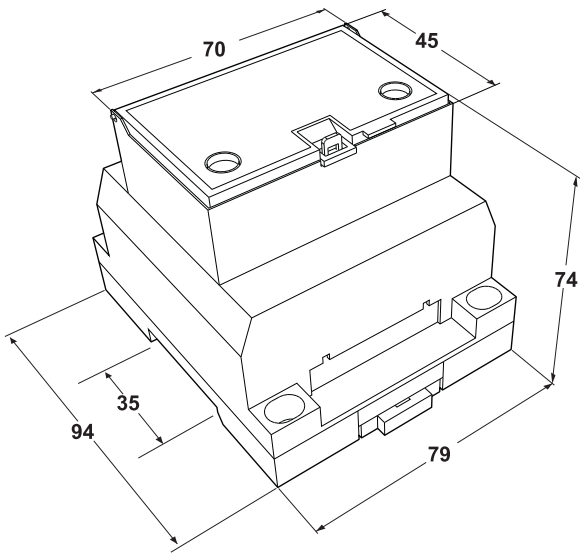
programmable K2 output contact

Latching or non-latching (nLc)

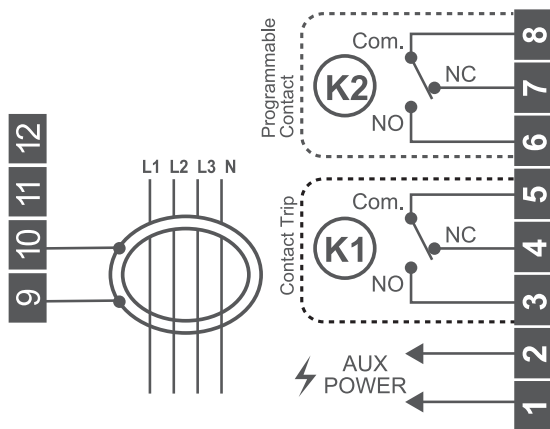
(* Available for models TM-18r (Auto-reset) only

Note: Specification subject to change without prior notification (please visit www.delab.com.my for latest specification)

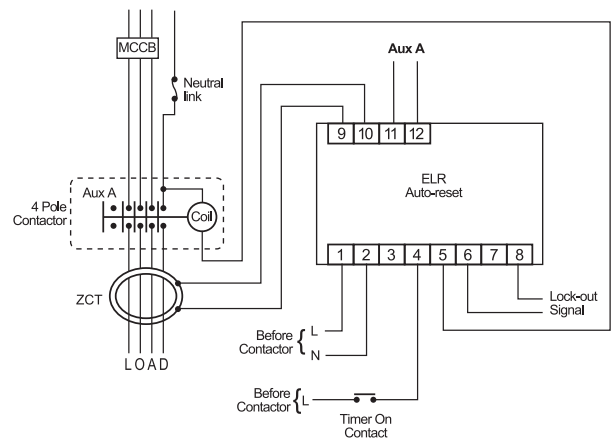
casing dimension



wiring diagram



auto-reset wiring diagram



ordering information

Model	Description
TM-18c	65 ~ 275 Vac (50~60Hz)
TM-18r	Auto-reset type : 65 ~ 275 Vac (50~60Hz)

Note: All measurement in mm.